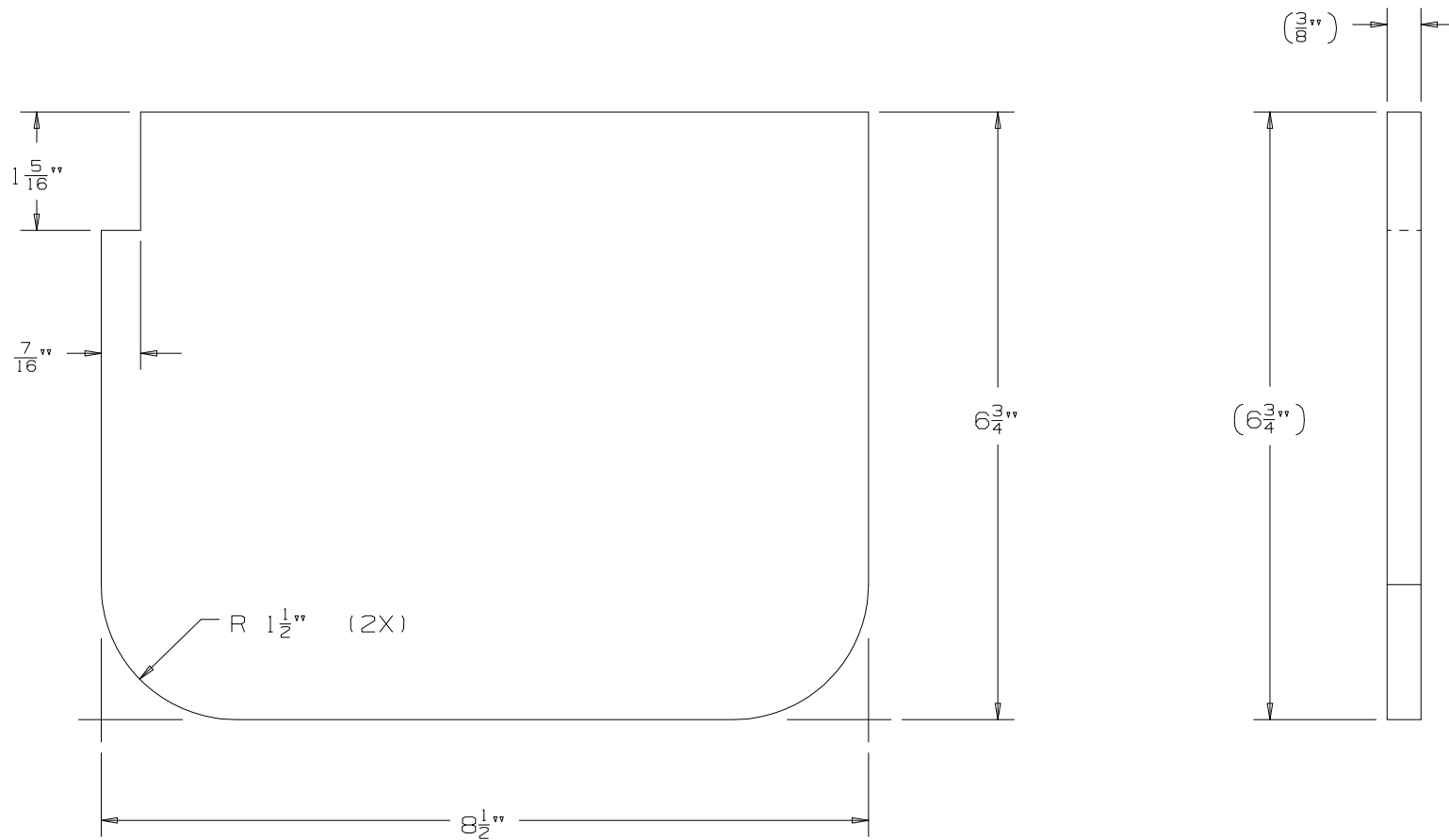
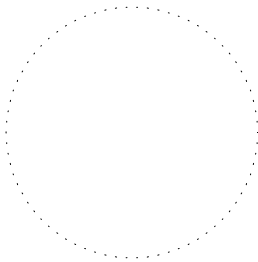


THIS DOCUMENT REMAINS PROPERTY OF FONTAINE TRAILER COMPANY. ITS CONTENTS ARE CONFIDENTIAL AND PROPRIETARY. DO NOT REPRODUCE, USE OR DISCLOSE ANY INFORMATION WITHOUT WRITTEN CONSENT FROM FONTAINE TRAILER COMPANY.



NOTES:

1. MATERIAL: .375 PLATE, 6061-T6 ALUMINUM
2. FOR INSTALLATION, SEE PAGE 2-7
- 3 WELD IN THE 2F (HORIZONTAL) POSITION
- 4 WELD IN THE 3F (VERTICAL UP) POSITION
- 5 WELD IN THE 4F (OVERHEAD) POSITION
6. WELD SIZES ARE MINIMUM
7. WEIGHT: 2.1#



0	CR*	*	*	*
REV.	ECR NO.	DESCRIPTION	BY	DATE

DO NOT SCALE DRAWING
DIMENSIONS ADHERE TO: ASME Y14.5M-1994
THIRD ANGLE PROJECTION

TOLERANCES UNLESS OTHERWISE SPECIFIED
FRACTIONS: ± 1/16
DECIMALS: ± .06
HOLES: ± .01
ANGLES: ± 2°
UNITS OF DIMENSION ARE: INCHES

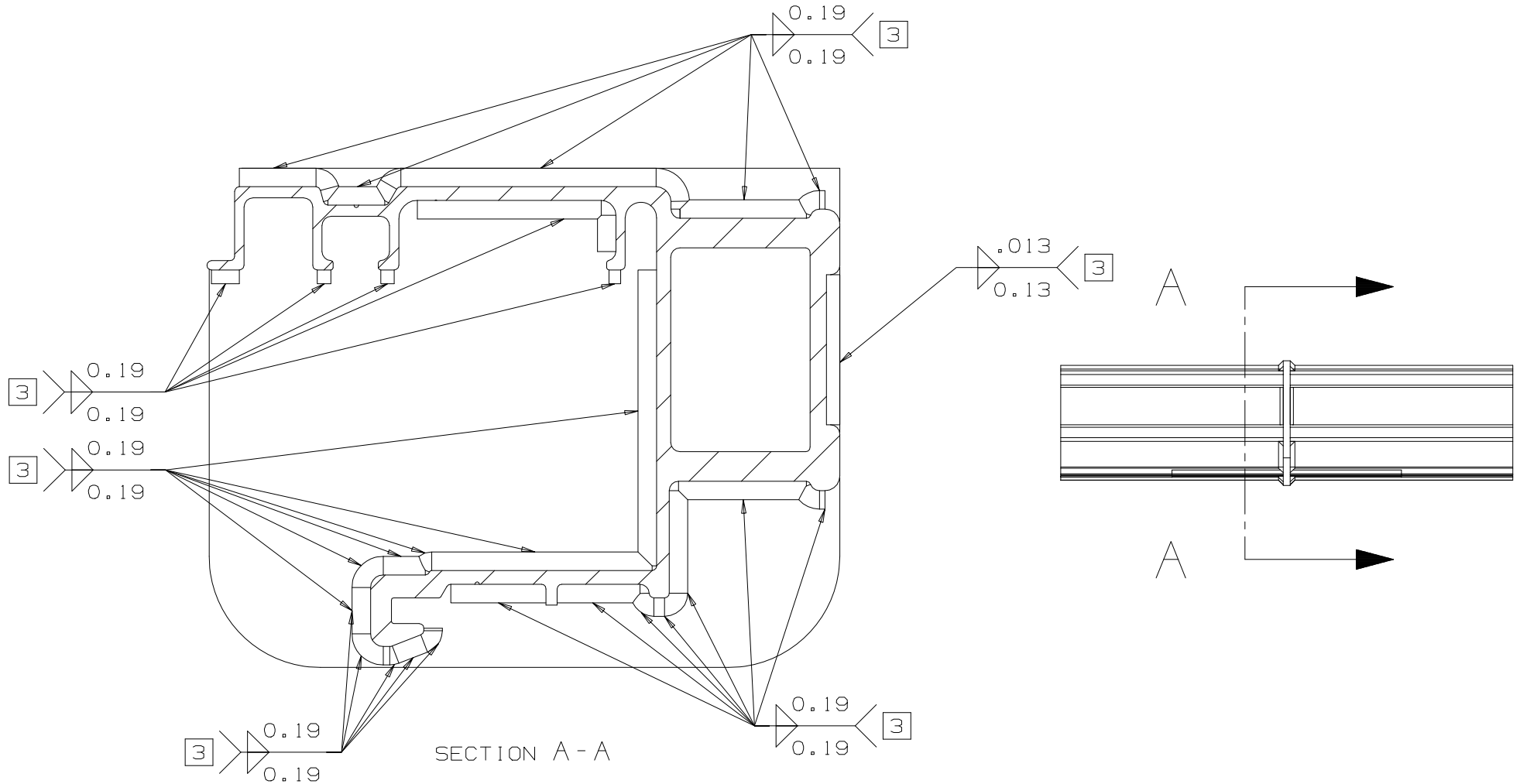
DRAWN BY M W	DATE 09/20/16
CHECKED BY	DATE
APPROVED BY	DATE

 **FONTAINE TRAILER CO.**
HALEYVILLE, AL

TITLE:
RASR SIDERAIL SPLICE PLATE, .375" ALUMINUM

PRINTED OR COPIED DOCUMENT IS UNCONTROLLED DOCUMENT UNLESS STAMPED ORIGINAL		
SIZE: A	SCALE: ***	SHEET: 1 OF 9
DRAWING NUMBER 00762115		REV. 0

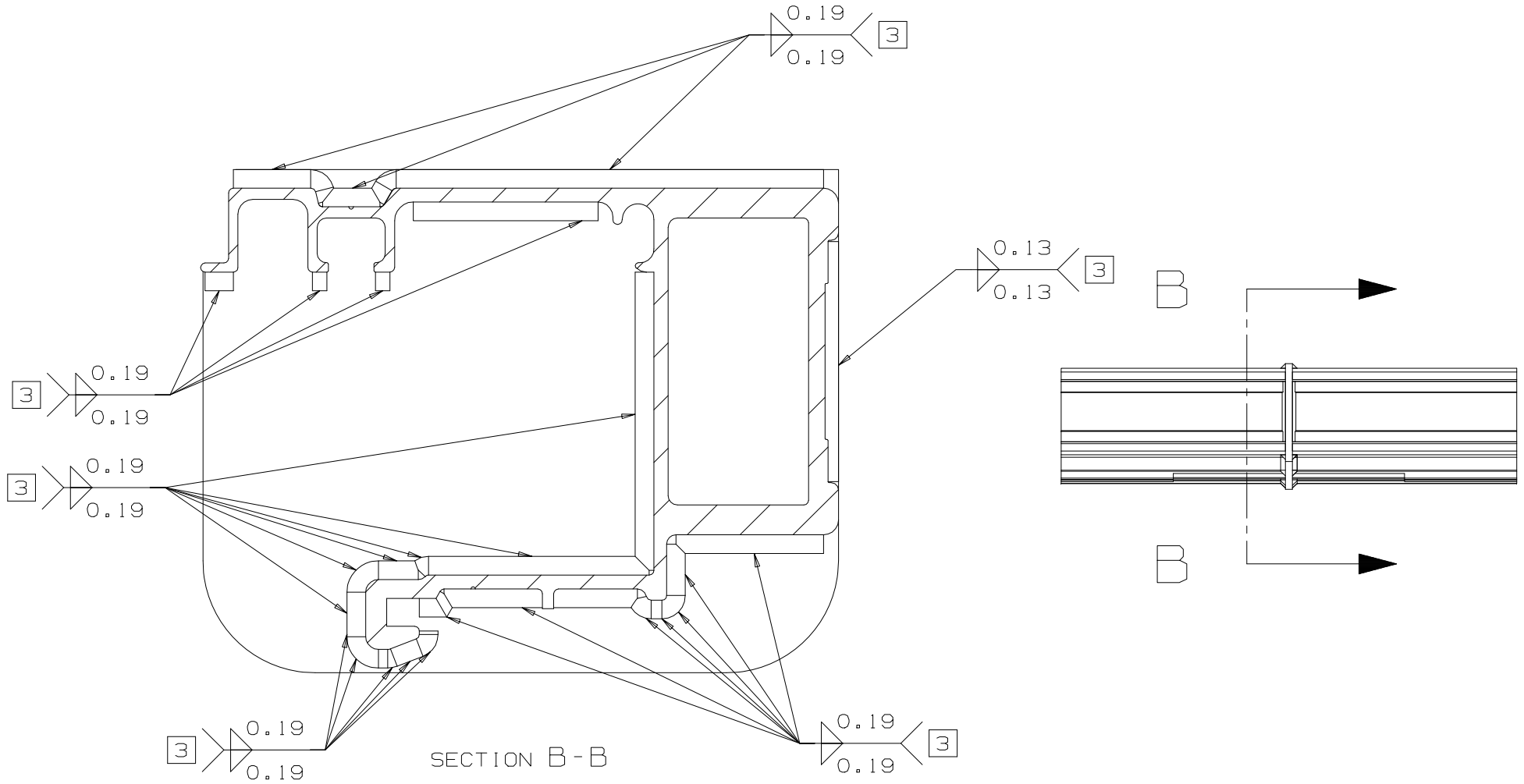
THIS DOCUMENT REMAINS PROPERTY OF FONTAINE TRAILER COMPANY. ITS CONTENTS ARE CONFIDENTIAL AND PROPRIETARY. DO NOT REPRODUCE, USE OR DISCLOSE ANY INFORMATION WITHOUT WRITTEN CONSENT FROM FONTAINE TRAILER COMPANY.



NOTE:
 OLD STYLE SIDERAIL WELDING

DO NOT SCALE DRAWING DIMENSIONS ADHERE TO: ASME Y14.5M-1994 THIRD ANGLE PROJECTION 	TOLERANCES UNLESS OTHERWISE SPECIFIED FRACTIONS: $\pm \frac{1}{16}$ DECIMALS: $\pm .06$ HOLES: $\pm .01$ ANGLES: $\pm 2^\circ$ UNITS OF DIMENSION ARE: INCHES	DRAWN BY M W	DATE 09/20/16	FONTAINE TRAILER CO. HALEYVILLE, AL	PRINTED OR COPIED DOCUMENT IS UNCONTROLLED DOCUMENT UNLESS STAMPED ORIGINAL
		CHECKED BY	DATE		
		APPROVED BY	DATE	TITLE: RASR SIDERAIL SPLICE PLATE, .375" ALUMINUM	DRAWING NUMBER 00762115
					REV. 0

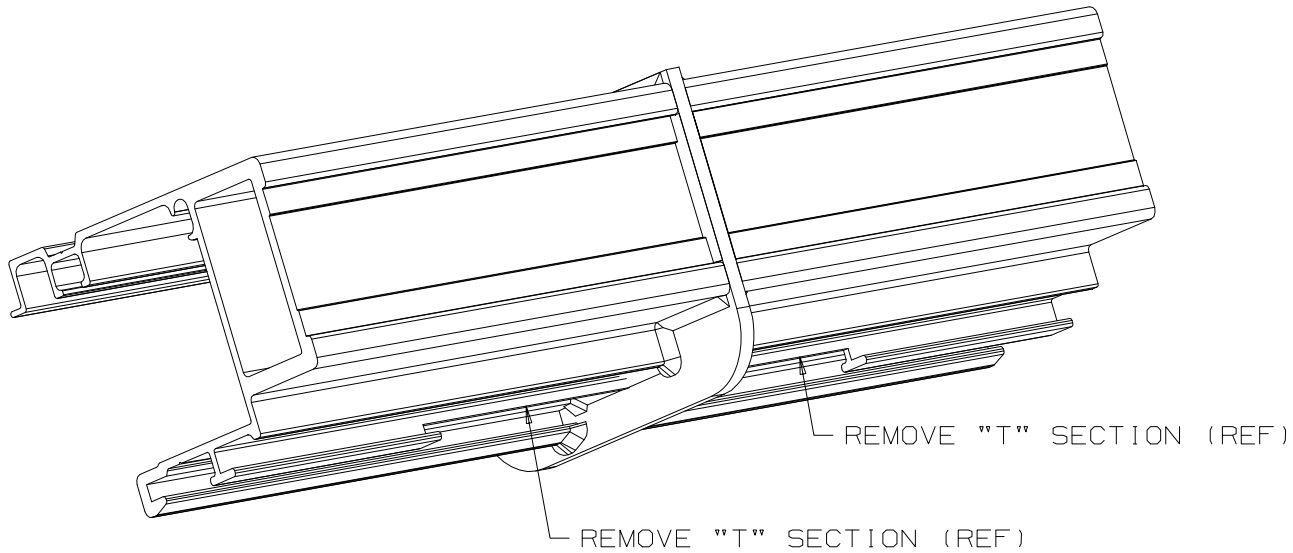
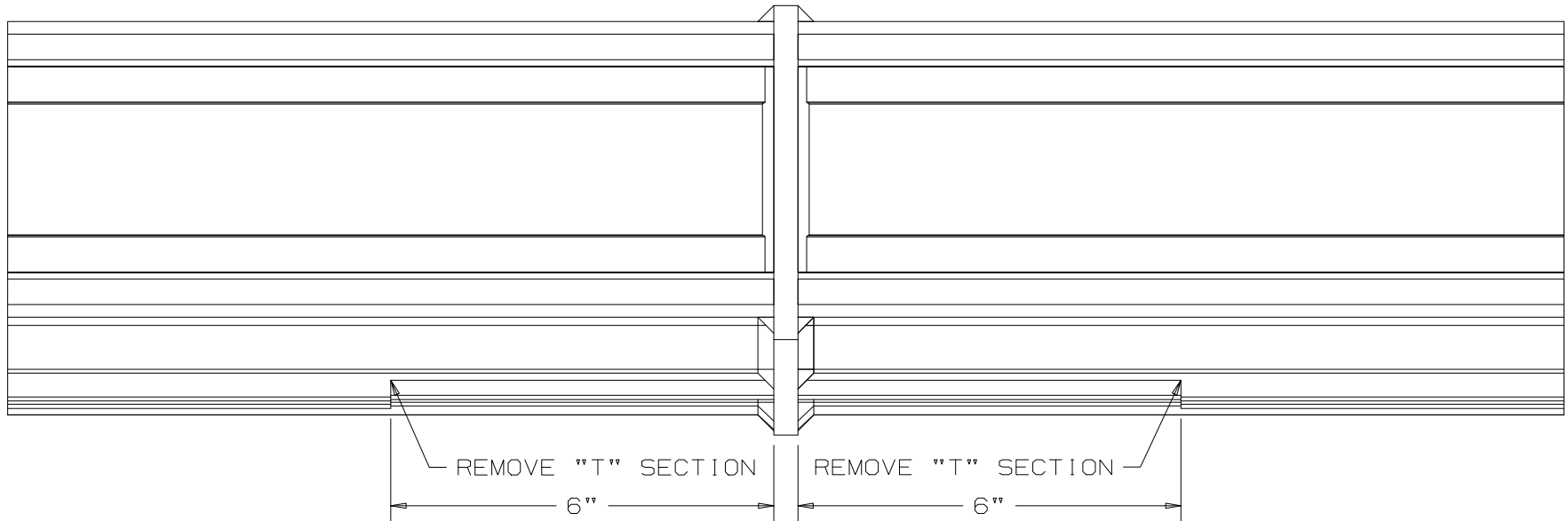
THIS DOCUMENT REMAINS PROPERTY OF FONTAINE TRAILER COMPANY. ITS CONTENTS ARE CONFIDENTIAL AND PROPRIETARY. DO NOT REPRODUCE, USE OR DISCLOSE ANY INFORMATION WITHOUT WRITTEN CONSENT FROM FONTAINE TRAILER COMPANY.



NOTE:
FLAT TOP STYLE SIDERAIL WELDING

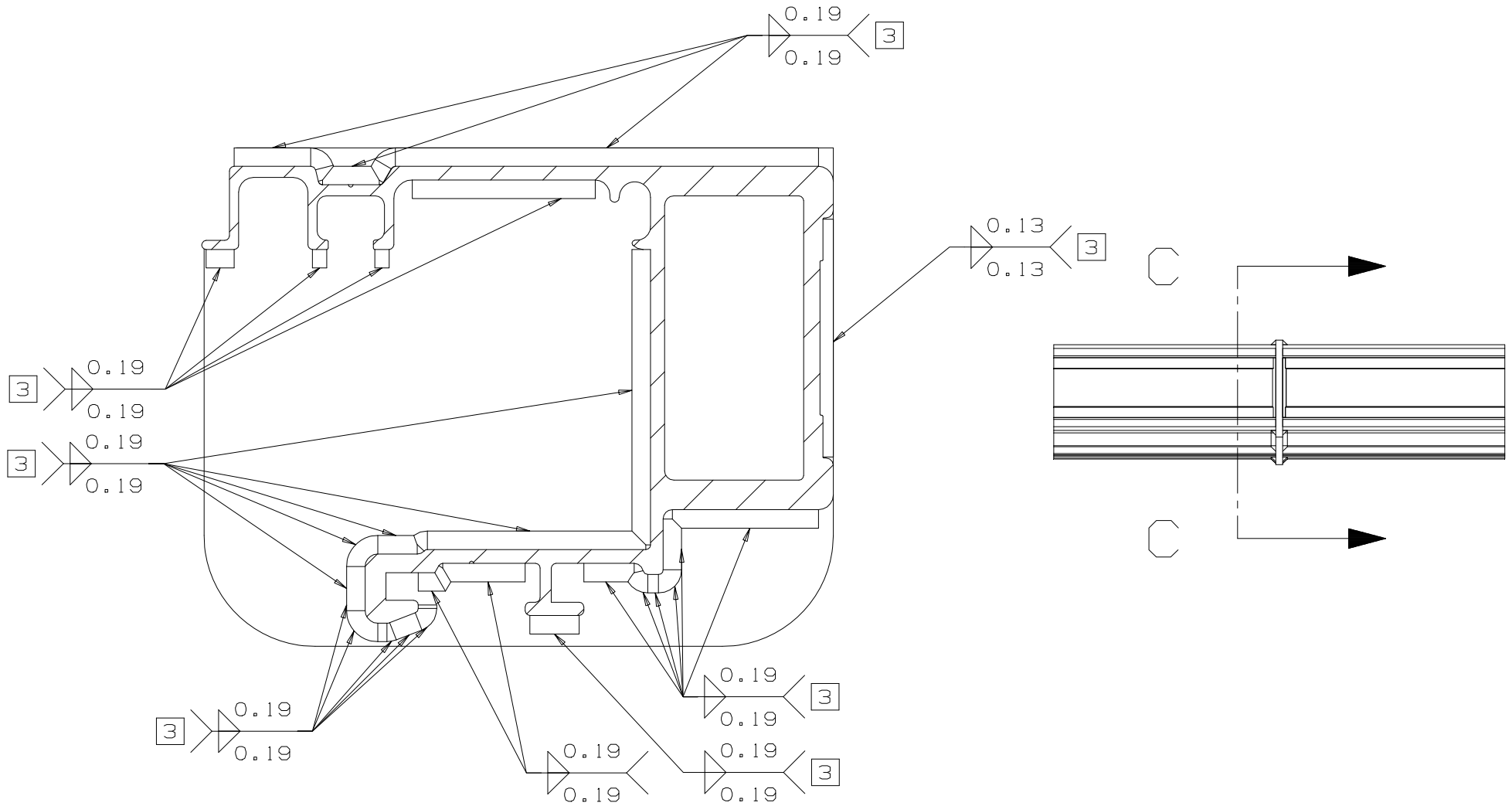
DO NOT SCALE DRAWING DIMENSIONS ADHERE TO: ASME Y14.5M-1994 THIRD ANGLE PROJECTION 	TOLERANCES UNLESS OTHERWISE SPECIFIED FRACTIONS: $\pm \frac{1}{16}$ DECIMALS: $\pm .06$ HOLES: $\pm .01$ ANGLES: $\pm 2^\circ$ UNITS OF DIMENSION ARE: INCHES	DRAWN BY M W	DATE 09/20/16	FONTAINE TRAILER CO. HALEYVILLE, AL TITLE: RASR SIDERAIL SPLICE PLATE, .375" ALUMINUM	PRINTED OR COPIED DOCUMENT IS UNCONTROLLED DOCUMENT UNLESS STAMPED ORIGINAL
	CHECKED BY	DATE	SIZE: A		SCALE: ***
APPROVED BY	DATE	DRAWING NUMBER 00762115		REV. 0	

THIS DOCUMENT REMAINS PROPERTY OF FONTAINE TRAILER COMPANY. ITS CONTENTS ARE CONFIDENTIAL AND PROPRIETARY. DO NOT REPRODUCE, USE OR DISCLOSE ANY INFORMATION WITHOUT WRITTEN CONSENT FROM FONTAINE TRAILER COMPANY.



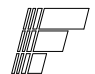
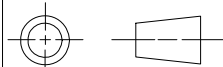
DO NOT SCALE DRAWING DIMENSIONS ADHERE TO: ASME Y14.5M-1994 THIRD ANGLE PROJECTION 	TOLERANCES UNLESS OTHERWISE SPECIFIED FRACTIONS: ± 1/16 DECIMALS: ± .06 HOLES: ± .01 ANGLES: ± 2° UNITS OF DIMENSION ARE: INCHES	DRAWN BY M W	DATE 09/20/16	FONTAINE TRAILER CO. HALEYVILLE, AL	PRINTED OR COPIED DOCUMENT IS UNCONTROLLED DOCUMENT UNLESS STAMPED ORIGINAL		
		CHECKED BY	DATE		TITLE: RASR SIDERAIL SPLICE PLATE, .375" ALUMINUM	SIZE: A	SCALE: ***
APPROVED BY				DATE	DRAWING NUMBER 00762115		REV. 0

THIS DOCUMENT REMAINS PROPERTY OF FONTAINE TRAILER COMPANY. ITS CONTENTS ARE CONFIDENTIAL AND PROPRIETARY. DO NOT REPRODUCE, USE OR DISCLOSE ANY INFORMATION WITHOUT WRITTEN CONSENT FROM FONTAINE TRAILER COMPANY.

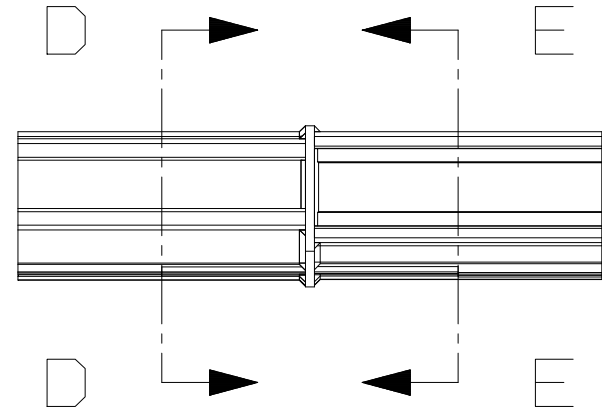


SECTION C-C

NOTE:
WELDING SIDERAILS WITHOUT WINCH TRACK CUTOUT

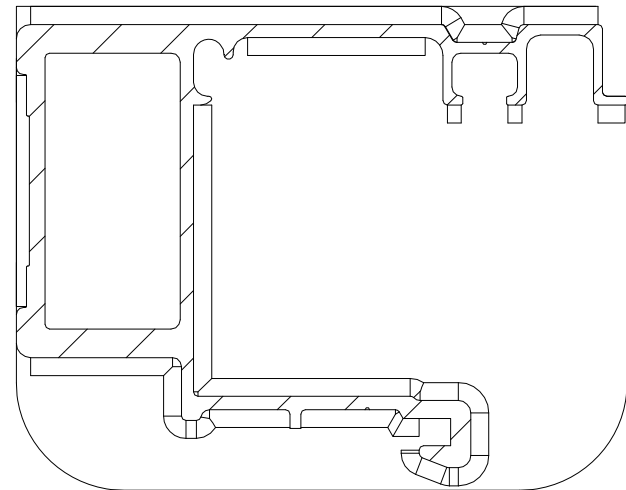
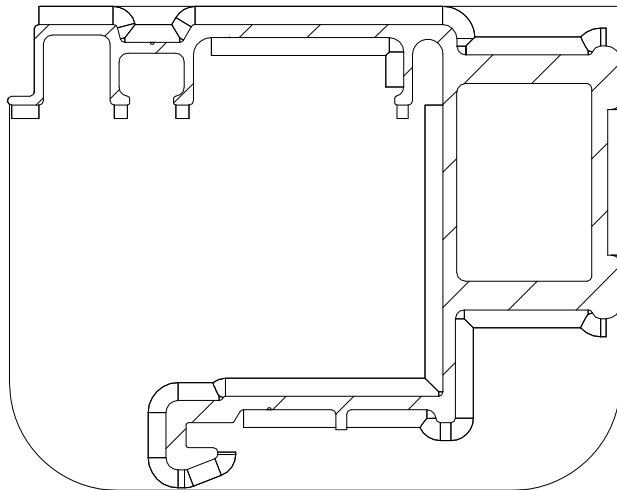
DO NOT SCALE DRAWING DIMENSIONS ADHERE TO: ASME Y14.5M-1994	TOLERANCES UNLESS OTHERWISE SPECIFIED FRACTIONS: $\pm \frac{1}{16}$ DECIMALS: $\pm .06$ HOLES: $\pm .01$ ANGLES: $\pm 2^\circ$ UNITS OF DIMENSION ARE: INCHES	DRAWN BY M W	DATE 09/20/16	 FONTAINE TRAILER CO. HALEYVILLE, AL	PRINTED OR COPIED DOCUMENT IS UNCONTROLLED DOCUMENT UNLESS STAMPED ORIGINAL		
		CHECKED BY	DATE		TITLE: RASR SIDERAIL SPLICE PLATE, .375" ALUMINUM	SIZE: A	SCALE: ***
THIRD ANGLE PROJECTION 		APPROVED BY	DATE		DRAWING NUMBER 00762115	REV. 0	

THIS DOCUMENT REMAINS PROPERTY OF FONTAINE TRAILER COMPANY. ITS CONTENTS ARE CONFIDENTIAL AND PROPRIETARY. DO NOT REPRODUCE, USE OR DISCLOSE ANY INFORMATION WITHOUT WRITTEN CONSENT FROM FONTAINE TRAILER COMPANY.



SEE SHEET 2 FOR WELDING

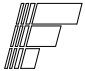
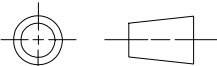
SEE SHEET 3 FOR WELDING



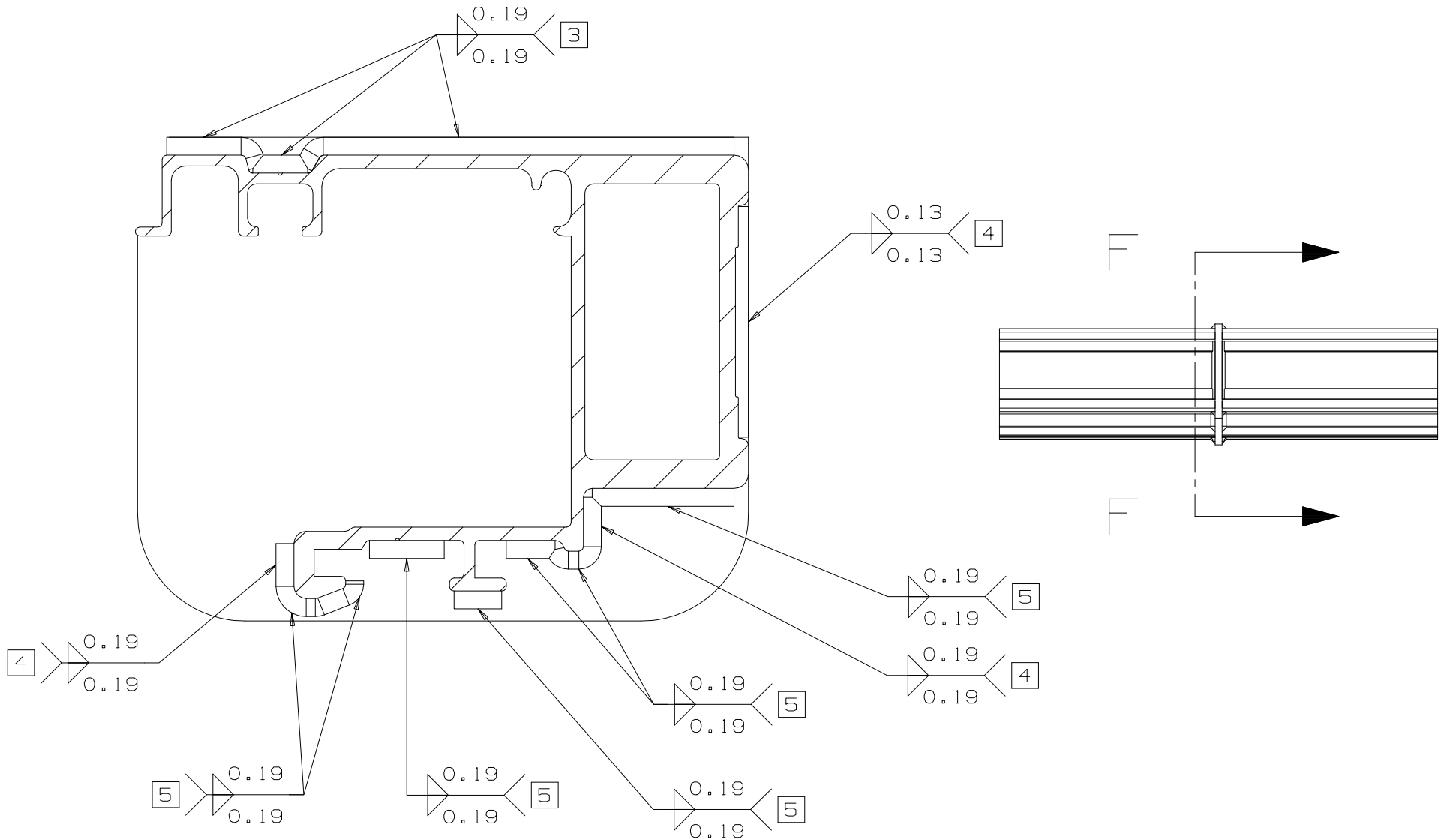
SECTION D-D

SECTION E-E

NOTE:
WELDING OLD AND NEW STYLE SIDERAILS

DO NOT SCALE DRAWING DIMENSIONS ADHERE TO: ASME Y14.5M-1994	TOLERANCES UNLESS OTHERWISE SPECIFIED FRACTIONS: $\pm \frac{1}{16}$ DECIMALS: $\pm .06$ HOLES: $\pm .01$ ANGLES: $\pm 2^\circ$ UNITS OF DIMENSION ARE: INCHES	DRAWN BY M W	DATE 09/20/16	 FONTAINE TRAILER CO. HALEYVILLE, AL	PRINTED OR COPIED DOCUMENT IS UNCONTROLLED DOCUMENT UNLESS STAMPED ORIGINAL		
		CHECKED BY	DATE		SIZE: A	SCALE: ***	SHEET: 6 OF 9
THIRD ANGLE PROJECTION 		APPROVED BY	DATE	TITLE: RASR SIDERAIL SPLICE PLATE, .375" ALUMINUM	DRAWING NUMBER 00762115		REV. 0

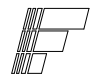
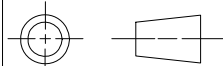
THIS DOCUMENT REMAINS PROPERTY OF FONTAINE TRAILER COMPANY. ITS CONTENTS ARE CONFIDENTIAL AND PROPRIETARY. DO NOT REPRODUCE, USE OR DISCLOSE ANY INFORMATION WITHOUT WRITTEN CONSENT FROM FONTAINE TRAILER COMPANY.



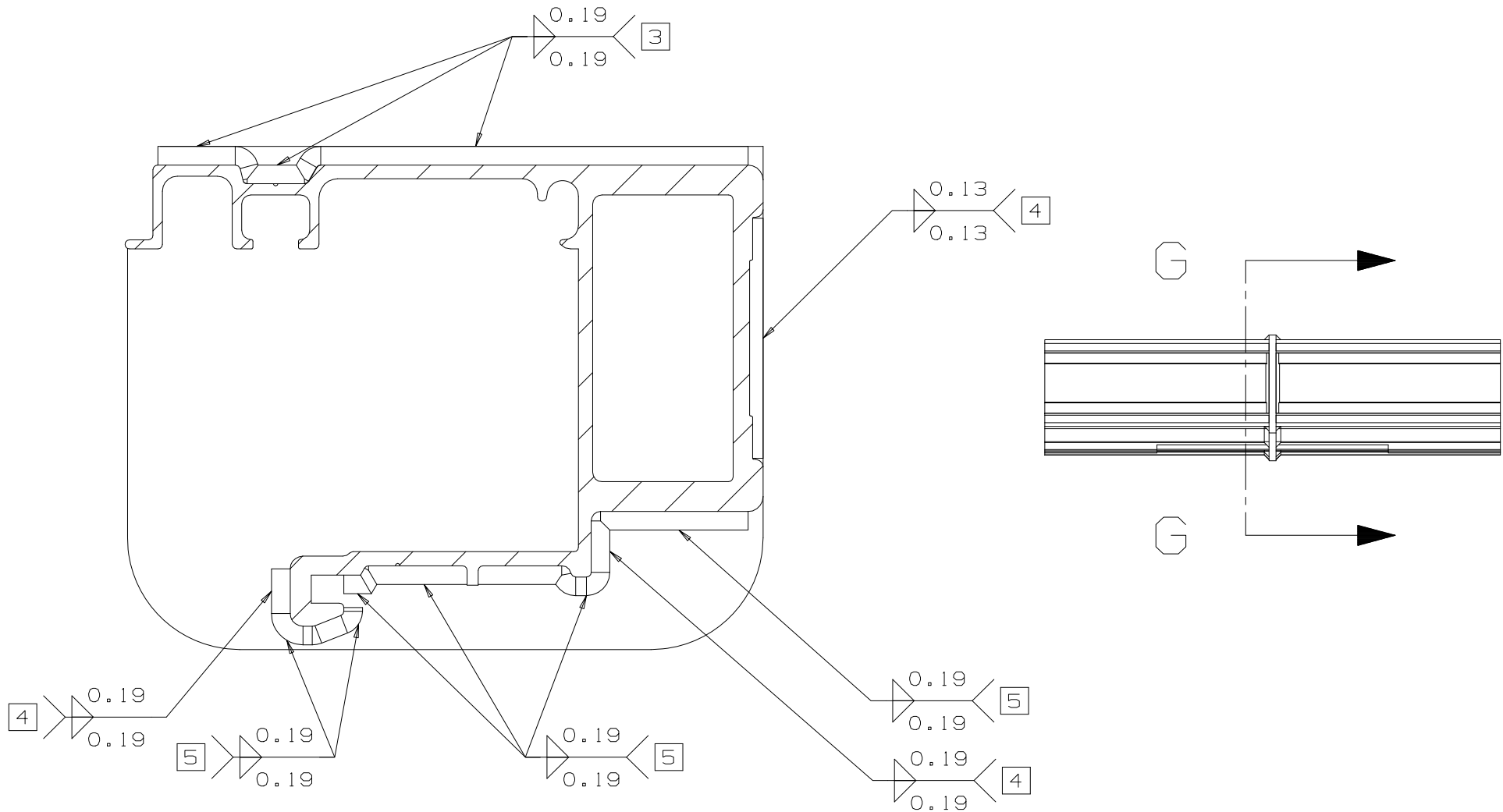
SECTION F-F

NOTE:

WELDING NEW STYLE SIDERAILS WITHOUT ROTATING TRAILER, WINCH TRACK NOT NOTCHED

DO NOT SCALE DRAWING DIMENSIONS ADHERE TO: ASME Y14.5M-1994	TOLERANCES UNLESS OTHERWISE SPECIFIED FRACTIONS: $\pm \frac{1}{16}$ DECIMALS: $\pm .06$ HOLES: $\pm .01$ ANGLES: $\pm 2^\circ$ UNITS OF DIMENSION ARE: INCHES	DRAWN BY M W	DATE 09/20/16	 FONTAINE TRAILER CO. HALEYVILLE, AL	PRINTED OR COPIED DOCUMENT IS UNCONTROLLED DOCUMENT UNLESS STAMPED ORIGINAL		
		CHECKED BY	DATE		SIZE: A	SCALE: ***	SHEET: 7 OF 9
THIRD ANGLE PROJECTION 		APPROVED BY	DATE	TITLE: RASR SIDERAIL SPLICE PLATE, .375" ALUMINUM	DRAWING NUMBER 00762115		REV. 0

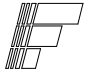
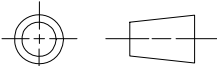
THIS DOCUMENT REMAINS PROPERTY OF FONTAINE TRAILER COMPANY. ITS CONTENTS ARE CONFIDENTIAL AND PROPRIETARY. DO NOT REPRODUCE, USE OR DISCLOSE ANY INFORMATION WITHOUT WRITTEN CONSENT FROM FONTAINE TRAILER COMPANY.



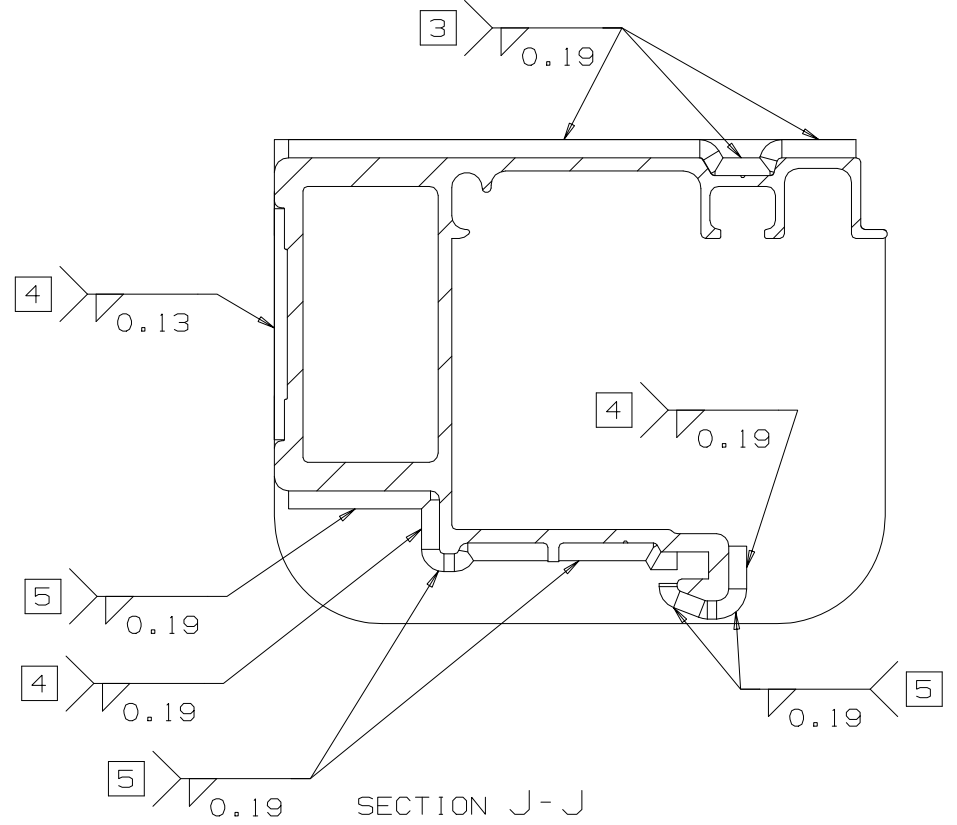
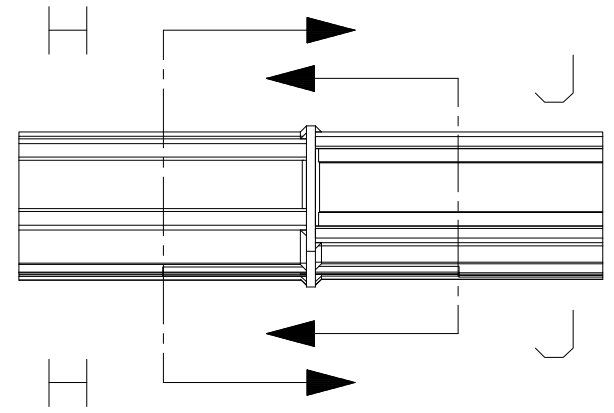
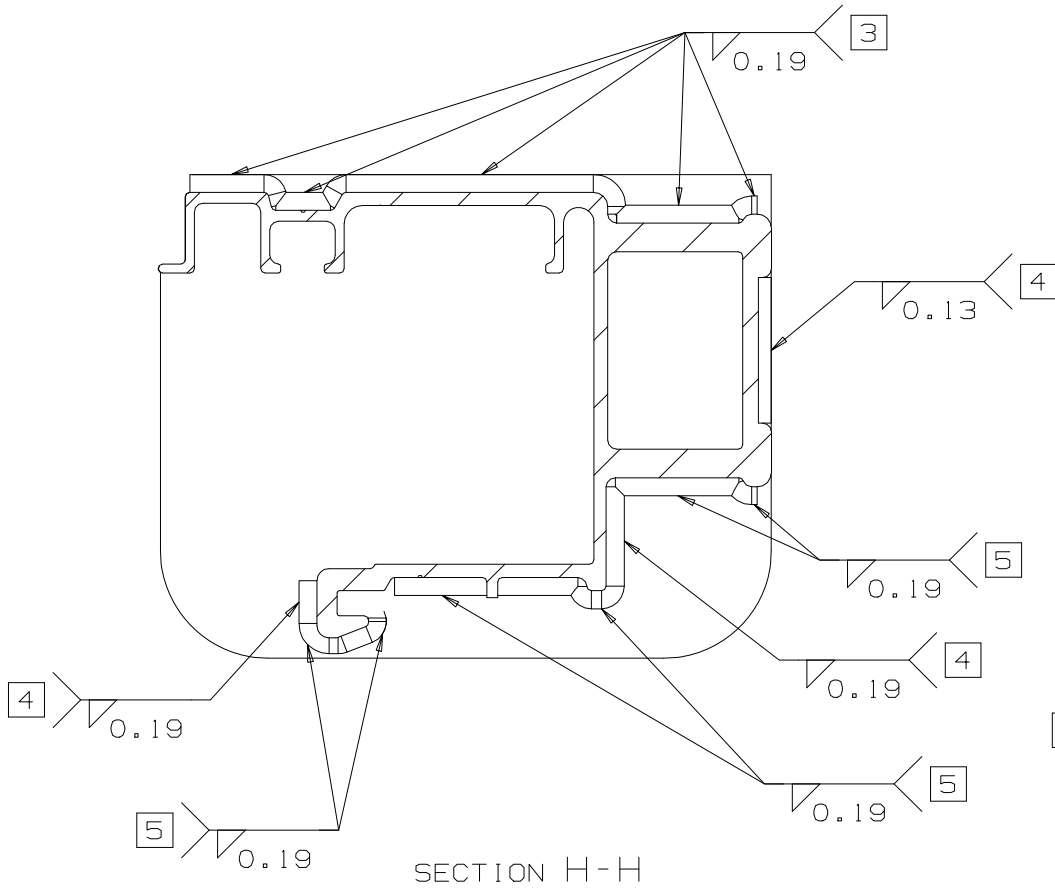
SECTION G-G

NOTE:

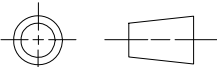
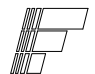
WELDING NEW STYLE SIDERAILS WITHOUT ROTATING TRAILER, WINCH TRACK NOTCHED

DO NOT SCALE DRAWING DIMENSIONS ADHERE TO: ASME Y14.5M-1994	TOLERANCES UNLESS OTHERWISE SPECIFIED FRACTIONS: $\pm \frac{1}{16}$ DECIMALS: $\pm .06$ HOLES: $\pm .01$ ANGLES: $\pm 2^\circ$ UNITS OF DIMENSION ARE: INCHES	DRAWN BY M W	DATE 09/20/16	 FONTAINE TRAILER CO. HALEYVILLE, AL	PRINTED OR COPIED DOCUMENT IS UNCONTROLLED DOCUMENT UNLESS STAMPED ORIGINAL		
		CHECKED BY	DATE		SIZE: A	SCALE: ***	SHEET: 8 OF 9
THIRD ANGLE PROJECTION 		APPROVED BY	DATE	TITLE: RASR SIDERAIL SPLICE PLATE, .375" ALUMINUM	DRAWING NUMBER 00762115		REV. 0

THIS DOCUMENT REMAINS PROPERTY OF FONTAINE TRAILER COMPANY. ITS CONTENTS ARE CONFIDENTIAL AND PROPRIETARY. DO NOT REPRODUCE, USE OR DISCLOSE ANY INFORMATION WITHOUT WRITTEN CONSENT FROM FONTAINE TRAILER COMPANY.



NOTE:
WELDING NEW STYLE TO OLD STYLE SIDERAILS WITHOUT ROTATING TRAILER, WINCH TRACK NOTCHED

DO NOT SCALE DRAWING DIMENSIONS ADHERE TO: ASME Y14.5M-1994 THIRD ANGLE PROJECTION 	TOLERANCES UNLESS OTHERWISE SPECIFIED FRACTIONS: $\pm \frac{1}{16}$ DECIMALS: $\pm .06$ HOLES: $\pm .01$ ANGLES: $\pm 2^\circ$ UNITS OF DIMENSION ARE: INCHES	DRAWN BY M W	DATE 09/20/16	 FONTAINE TRAILER CO. HALEYVILLE, AL	PRINTED OR COPIED DOCUMENT IS UNCONTROLLED DOCUMENT UNLESS STAMPED ORIGINAL		
		CHECKED BY	DATE		SIZE: A	SCALE: ***	SHEET: 9 OF 9
		APPROVED BY	DATE	TITLE: RASR SIDERAIL SPLICE PLATE, .375" ALUMINUM	DRAWING NUMBER 00762115		REV. 0